



SENIOR INDUSTRIES

THE SENIOR EXPERIENCE...
...WHEN SUPPORT COUNTS!

Product Bulletin

SI-306F/306M Series Microphone Connector Audio Receptacles



Senior Industries is pleased to introduce our **SI-306F** and **SI-306M Microphone Connector Audio Receptacles!** The connector housings are made of impact resistant zinc die castings that have our special textured, matte nickel finish. The contacts are made of heavy duty spring bronze with silver plating for optimal connectivity.

FEATURES

- Die cast housing
- Impact resistant contacts

TYPICAL APPLICATIONS

- Sound Systems
- Audio Equipment
- Mixers

SPECIFICATIONS SUBJECT TO CHANGE WITHOUT NOTICE

ELECTRICAL

Contact Rating: 15A @ 125 VAC
Contact Resistance: 5 milliohms max.
Insulation Resistance: 5000 megohms min. @ 500 VDC
Dielectric Strength: 1400 VAC
Capacitance: 4pF max.

MECHANICAL

Insertion Force: 1.0 – 8.0 kg.
Withdrawal Force: 1.0 – 8.0 kg.

MATERIALS

Housing: Zinc die-cast, nickel or black plated
Insert Insulator: PPT, black
Socket/Pin: Phosphor copper, silver plated

ENVIRONMENTAL

Operating Temperature: -55°C to +70°C

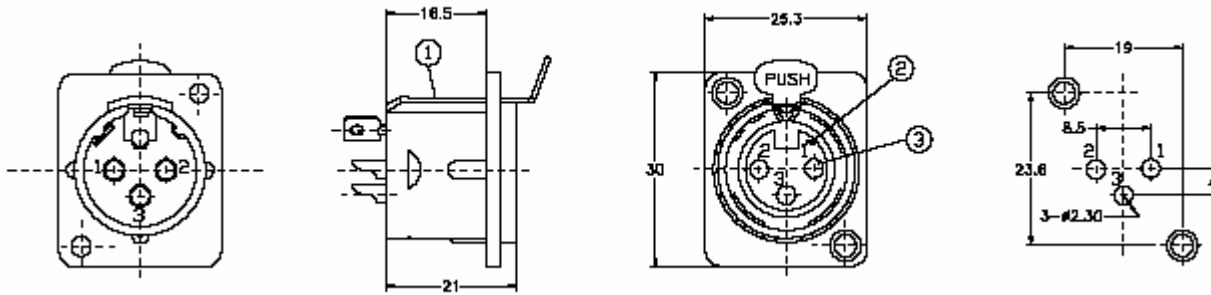
For any further technical assistance or request for samples,
please call our toll free number: (800) 350-1650



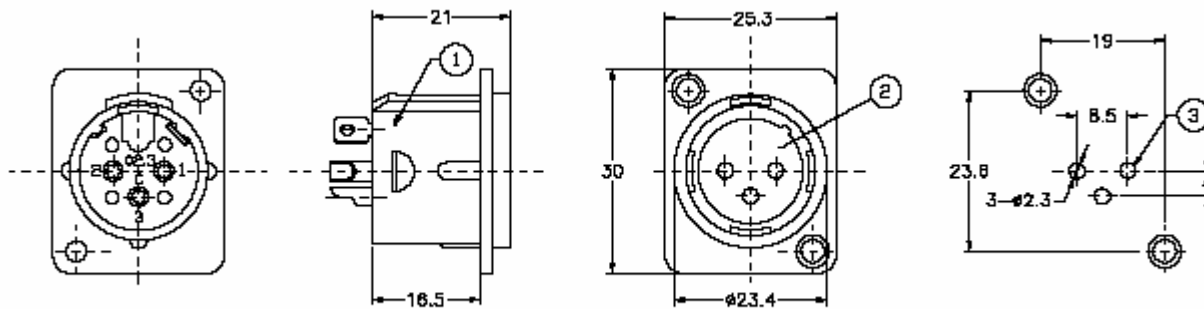
Senior Industries Inc. / 610 Pond Drive, Wood Dale, IL 60191 / Phone: 630-350-1600 / Fax: 630-350-1654 / Web: www.seniorindustries.com

Copyright 2005 Senior Industries, All rights reserved.

Senior Industries' **SI-306F-3-X-1 Audio Receptacle!**



Senior Industries' **SI-306M-3-X-1 Audio Receptacle!**



Note: 'X' in Part Number denotes Housing Finish: N - Nickel; B - Black

For any further technical assistance or request for samples,
please call our toll free number: (800) 350-1650



Senior Industries Inc. / 610 Pond Drive, Wood Dale, IL 60191 / Phone: 630-350-1600 / Fax: 630-350-1654 / Web: www.seniorindustries.com

Copyright 2005 Senior Industries, All rights reserved.